

Material

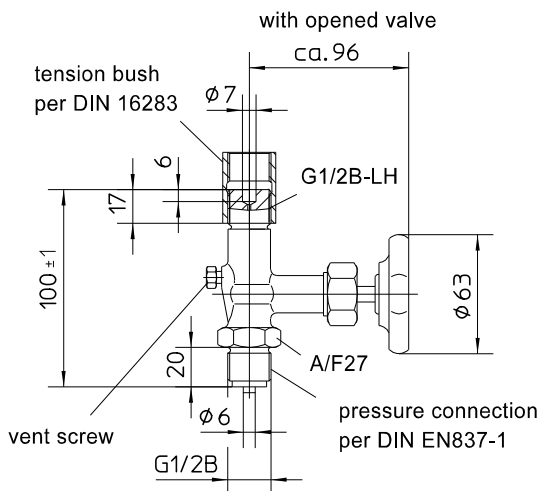
The standard design and the materials used for these valves are detailed in the following table:

Design	from brass		from C-steel		from stainless steel	
		mat.-no.		mat.-no.		mat.-no.
case	MS 58	mat.-no. 2.0406	C 22.8	mat.-no. 1.0460	Niro	mat.-no. 1.4571
valve stem	Niro	mat.-no.1.4104	Niro	mat.-no. 1.4104	Niro	mat.-no. 1.4571
valve plug	Niro	mat.-no.1.4104	Niro	mat.-no. 1.4104	Niro	mat.-no. 1.4571
plucking material *	PTFE		PTFE		PTFE	
packing box	9S20K	mat.-no.1.0711	9S20K	mat.-no. 1.0711	Niro	mat.-no. 1.4571
union nut	9S20K	mat.-no.1.0711	9S20K	mat.-no. 1.0711	Niro	mat.-no. 1.4571
handwheel	pressed material per DIN 388		pressed material per DIN 388		pressed material per DIN 388	
tension bush	9S20K	W.-Nr. 1.0711mat.-no.1.0711	9S20K	mat.-no. 1.0711	Niro	mat.-no. 1.4571
vent screw	Niro	mat.-no.1.4301	Niro	mat.-no. 1.4301	Niro	mat.-no. 1.4571
end cap	9S20K	mat.-no.1.0711	9S20K	mat.-no. 1.0711	Niro	mat.-no. 1.4571
lenticular seal	Niro	mat.-no.1.4104	Niro	mat.-no. 1.4104	Niro	mat.-no. 1.4571
control flange	MS 58	mat.-no.2.0406	RSt 37	mat.-no. 1.0038	Niro	mat.-no. 1.4571

* Special-purpose packings are used for special requirements (e.g. oxygen grease free)

Operating temperature: -10 to 120 °C for Mg and St. design
-20 to 250 °C for stainless steel design

Special design: Certification on material testing per EN 10204



Shut-off valve per DIN 16270

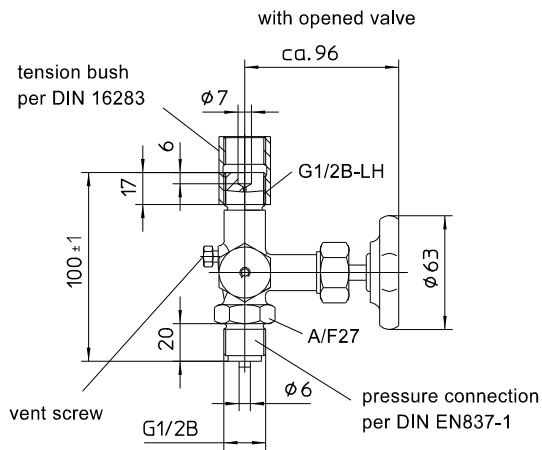
Design

Form A, with tension bush
Weight: approx. 0.5 kg

Order Details

Shut-off valve per DIN 16270			
MV1010		st. steel mat.-no. 1.4571 (316Ti)	nominal pressure PN 400
MV1020	material	c-steel C 22.8	nominal pressure PN 400
MV1030		brass	nominal pressure PN 250

Order code (example): MV1010



Shut-off valve per DIN 16271

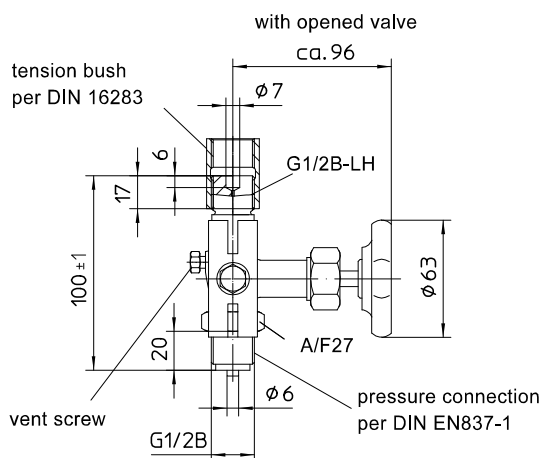
Design

Form A, with tension bush and test connecting stud M 20 x 1.5 and end cap
Weight: approx. 0.7 kg

Order Details

Shut-off valve per DIN 16271			
MV2010		st. steel mat.-no. 1.4571 (316Ti)	nominal pressure PN 400
MV2020	material	c-steel C 22.8	nominal pressure PN 400
MV2030		brass	nominal pressure PN 250

Order code (example): MV2010



Shut-off valve similar to DIN 16271

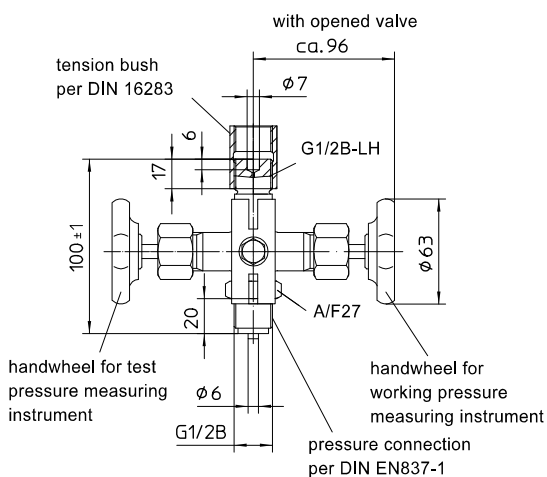
Design

With rectangular control flange 60 x 25 mm and end cap
Weight: approx. 0.8 kg

Order Details

Shut-off valve similar to DIN 16271			
MV3010		st. steel mat.-no. 1.4571 (316Ti)	nominal pressure PN 400
MV3020	material	c-steel C 22.8	nominal pressure PN 400
MV3030		brass	nominal pressure PN 250

Order code (example): MV3010



Shut-off valve per DIN 16272

Design

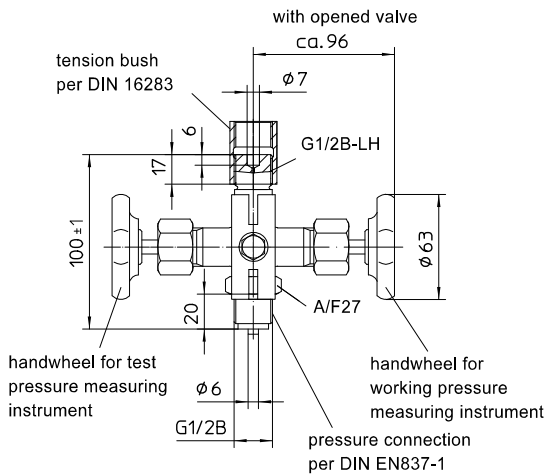
Form A, with tension bush and test connecting stud M 20 x 1.5, can be shut off by 2nd valve stem

Weight: approx. 0.9 kg

Order Details

Shut-off valve per DIN 16272			
MV4010		st. steel mat.-no. 1.4571 (316Ti)	nominal pressure PN 400
MV4020	material	c-steel C 22.8	nominal pressure PN 400
MV4030		brass	nominal pressure PN 250

Order code (example): MV4010



Shut-off valve similar to DIN 16272

Design

Form A, with tension bush and rectangular control flange 60 x 25 mm, can be shut off by 2nd valve stem

Weight: approx. 1.0 kg

Order Details

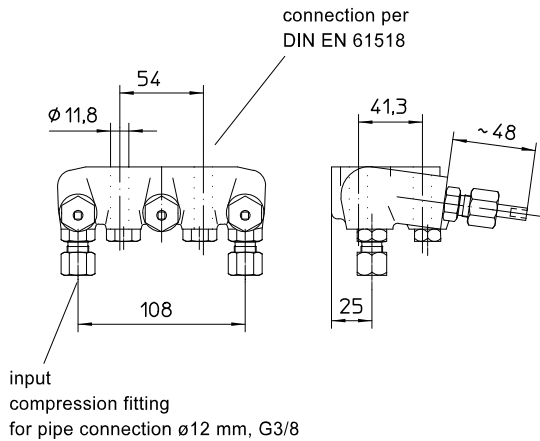
Shut-off valve similar to DIN 16272			
MV5010	material	st. steel mat.-no. 1.4571 (316Ti)	nominal pressure PN 400
MV5020		c-steel C 22.8	nominal pressure PN 400
MV5030		brass	nominal pressure PN 250

Order code (example): MV5010

Valve manifold directly flanged DIN EN 61518

Design

3 way, nominal pressure PN 400 DN 5 stainless steel mat.-no. 1.4571 with packing of PTFE up to 200 °C



Order Details

MV6210 Valve manifold directly flanged DIN EN 61518		
A21	process connection	compression fitting for pip Ø 8 mm
A22		compression fitting for pip Ø 10 mm
A23		compression fitting for pip Ø 12 mm
A30		G3/8 female
A35		G1/2 B male
A36		1/2" NPT male
N1	design	with socket wrench
N2		with plastic handwheel
M10	mounting material	without mounting material
M11		with mounting material *

Order code (example): MV6210 - A21 - N1 - M10

* screws and gaskets of Perbunan